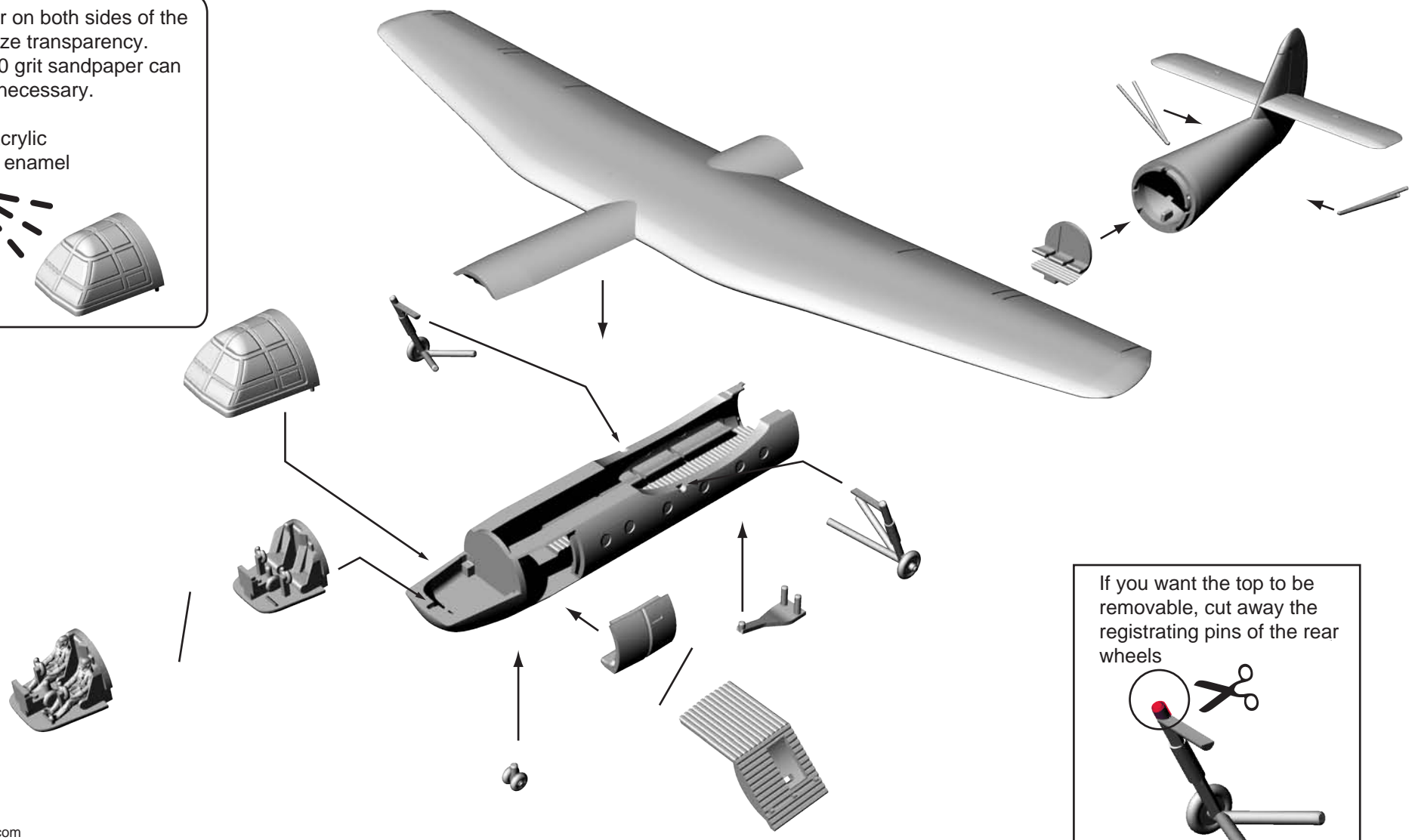


1:144 WWII British/Allies
Airspeed AS.58 Mk II
Horsa II Assembly

Spray Gloss Clear on both sides of the canopy to maximize transparency.
Sanding with 1200 grit sandpaper can also help but not necessary.
Use:
✓ Water based acrylic
✗ Thinner based enamel



If you want the top to be removable, cut away the registering pins of the rear wheels

CG Dynamix
Email: cgdynamix@gmail.com
<https://www.combatgroupdynamix.com>
© CG Dynamix 2021

