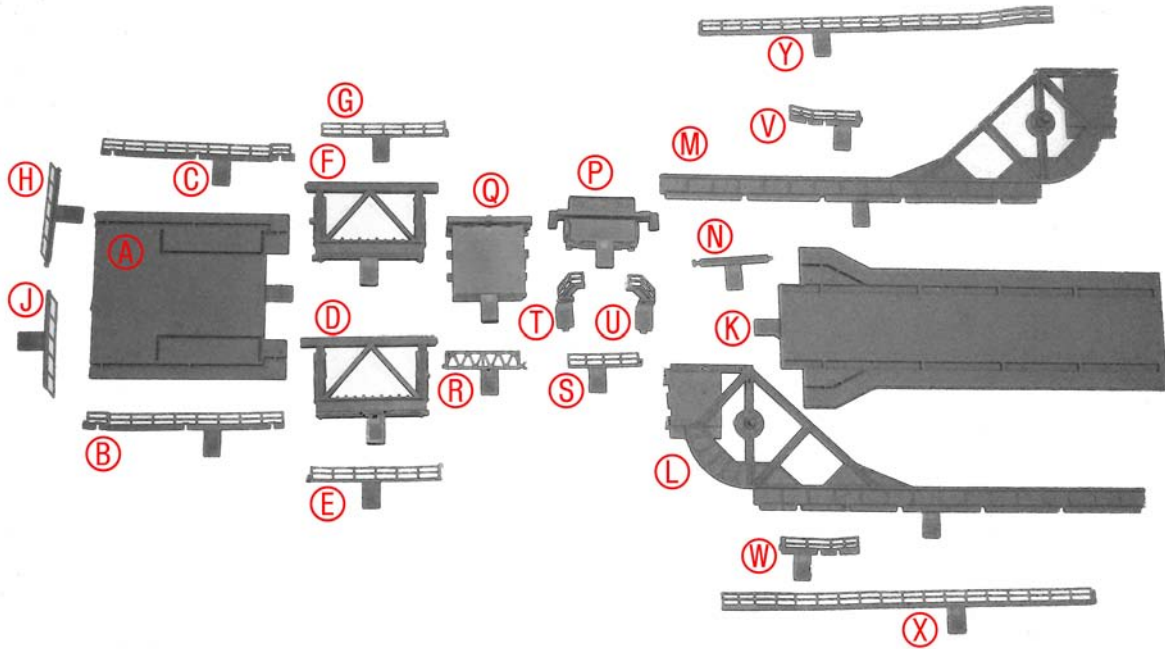


## 1/144 Pegasus Bridge (Static Version) Resin Kit Assembly instructions

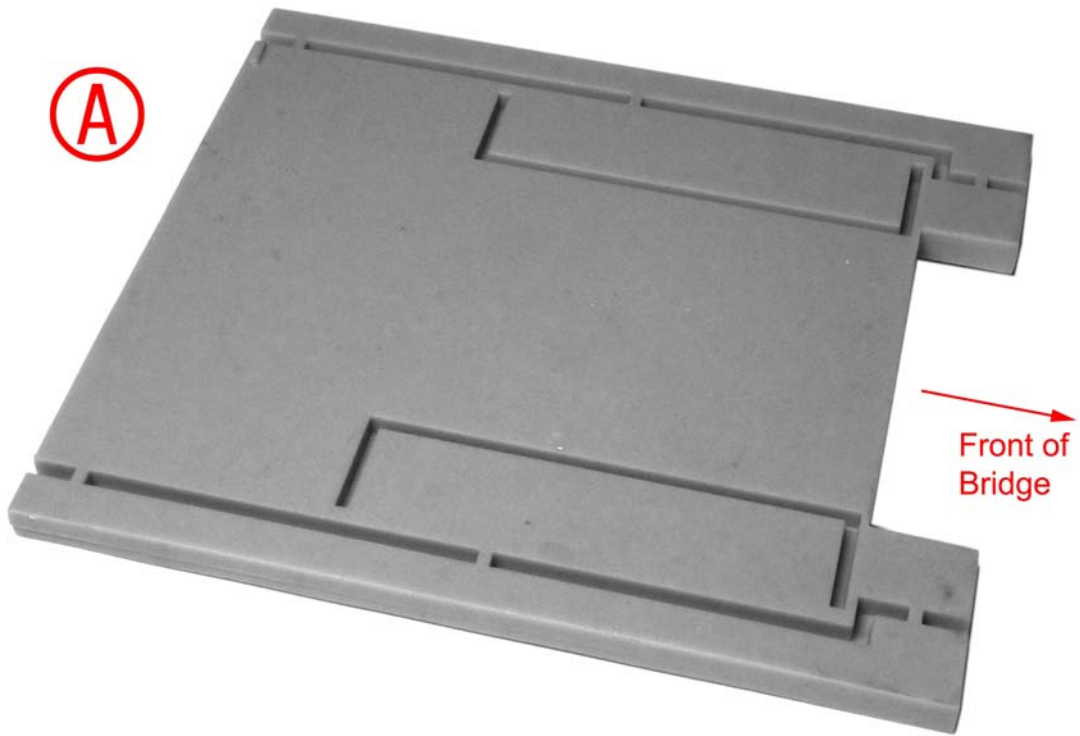
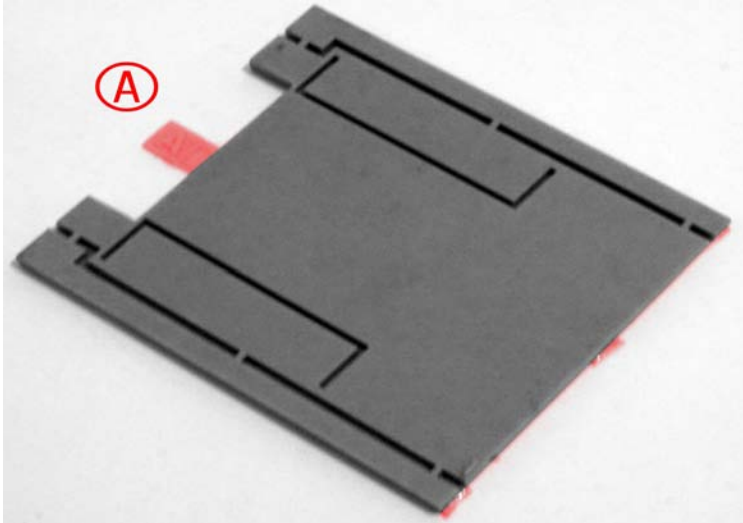
**In the box: 23 Parts**



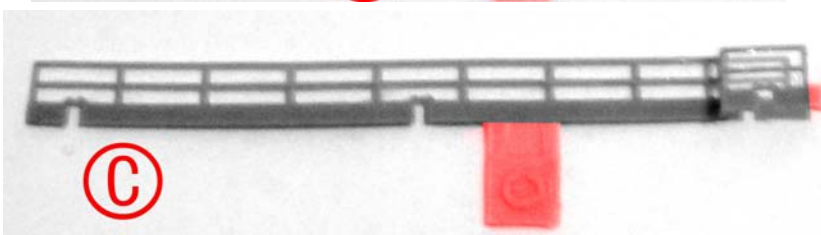
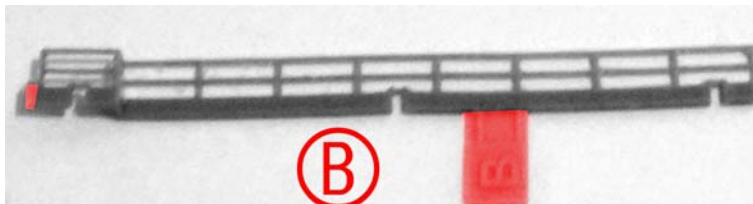
**Notes:**

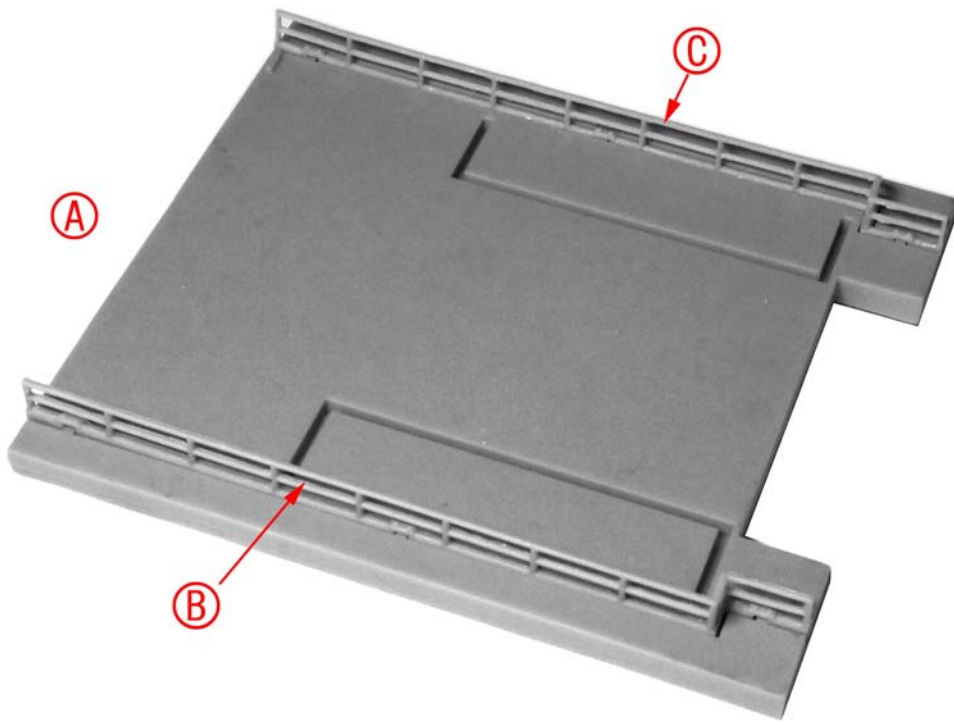
- Wash parts using detergent to remove any oil residue
- Remove **Part Number Plates** only before assembling each part
- Remove excess resin and test fit parts before applying glue
- Use only **cyanoacrylate glue** (Not included) (Super glue, O-Second, Aron Alpha etc.) to assembling parts
- **Rubber band** (Not included) is required for some of the assembly procedure

**Step 1:**  
Clean up the red area

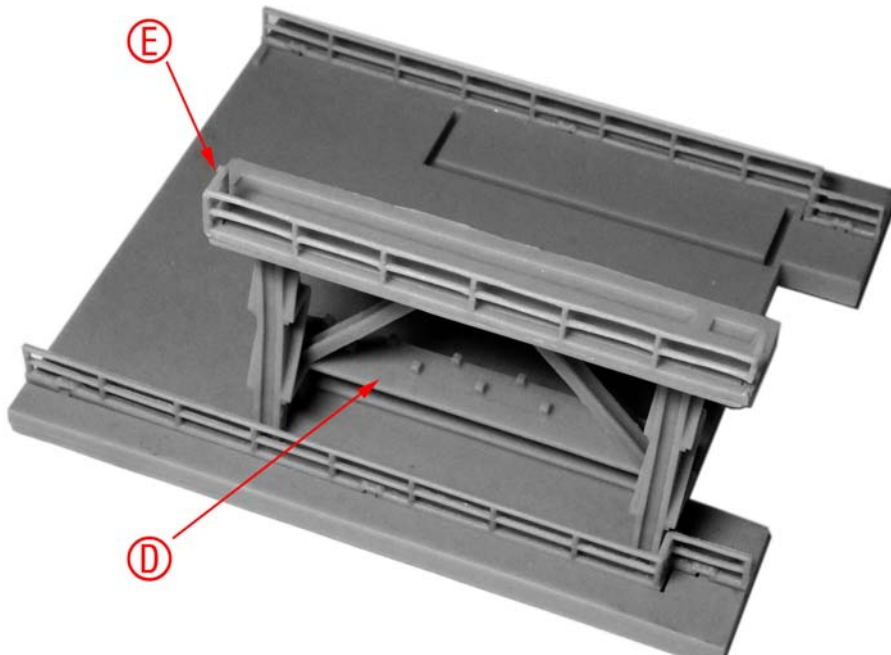
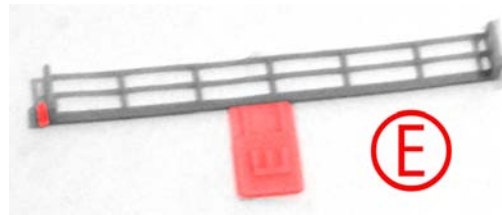
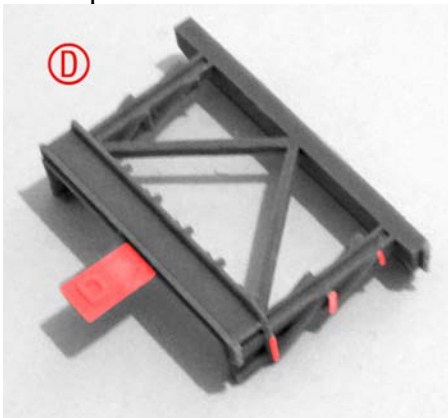


**Step 2:**  
Clean up the red area

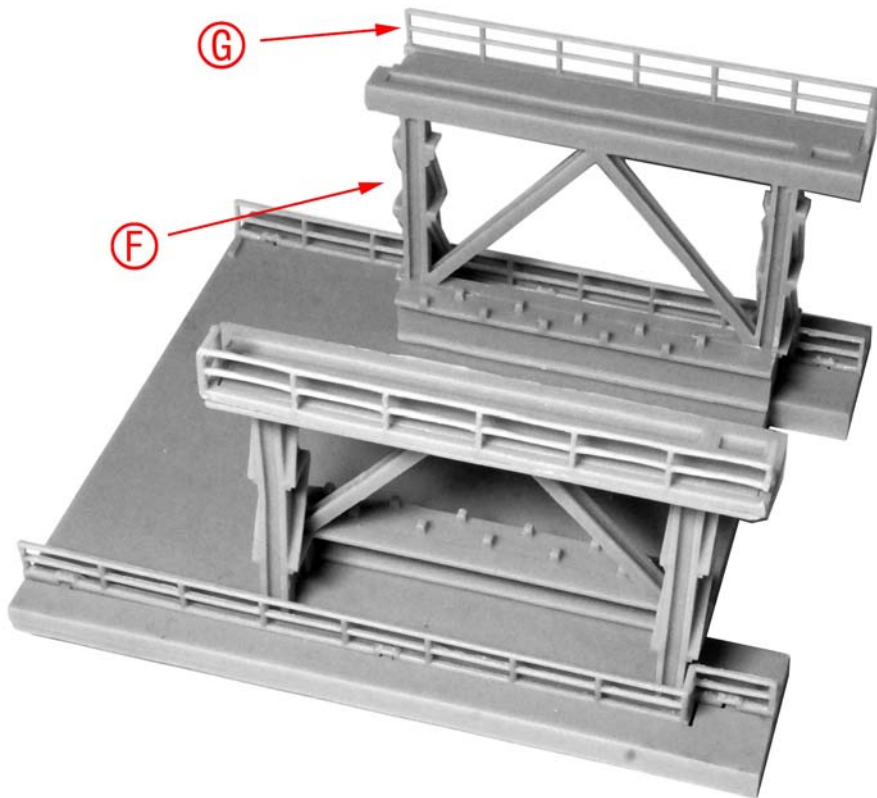
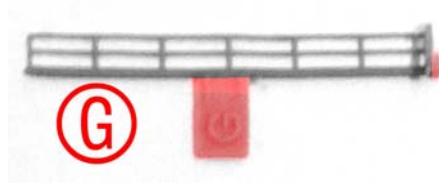
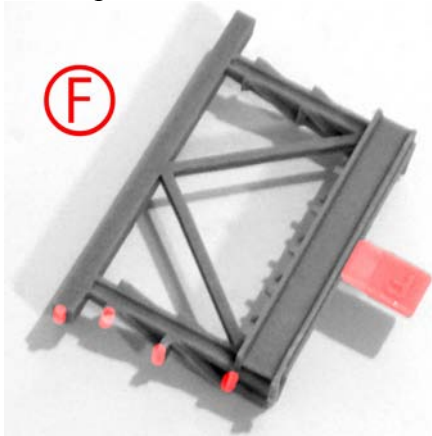




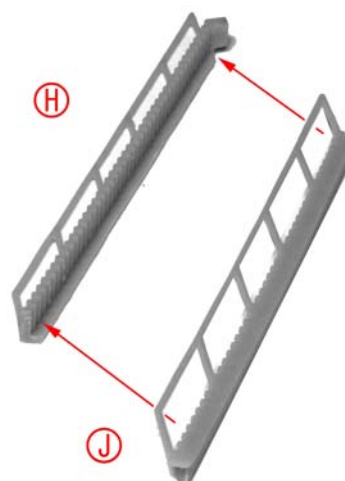
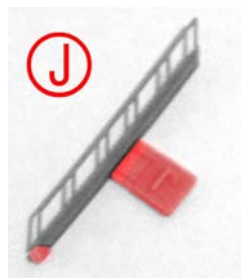
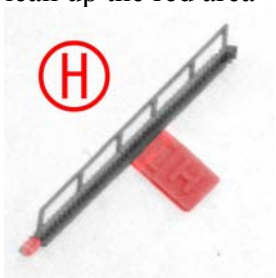
**Step 3:**  
Clean up the red area



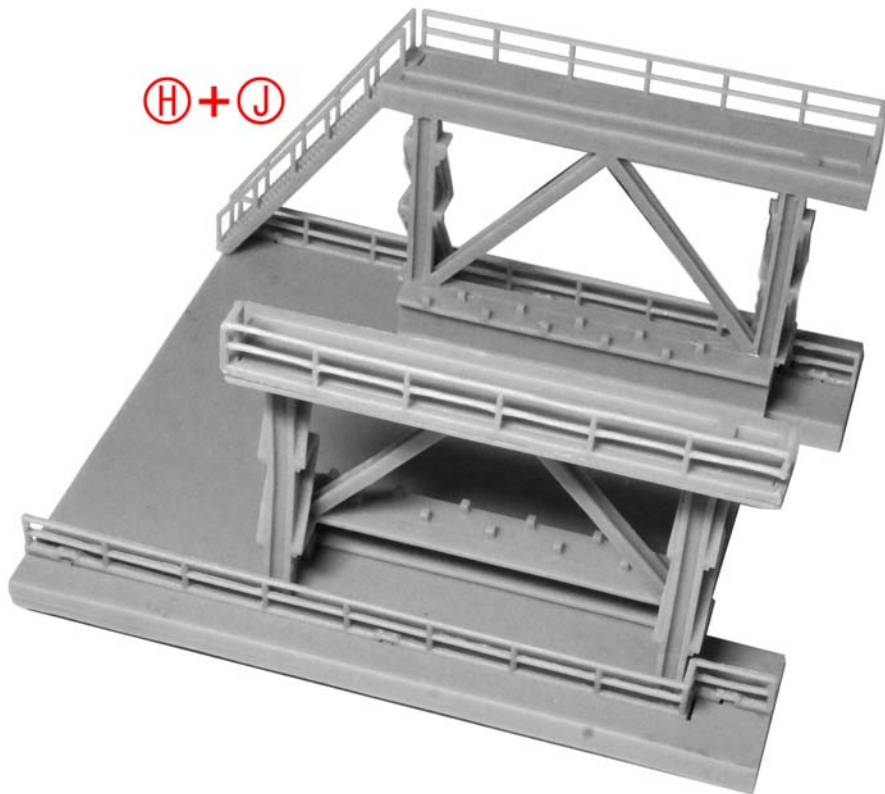
**Step 4:**  
Clean up the red area



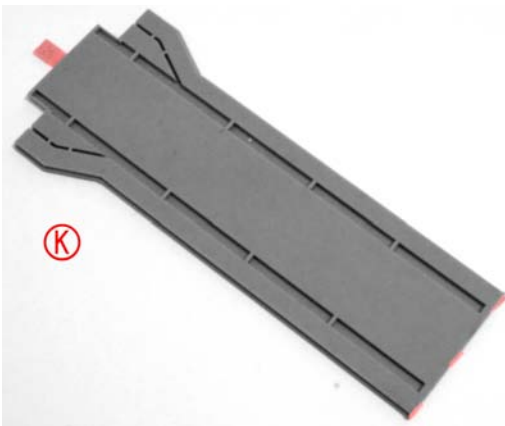
**Step 5:**  
Clean up the red area



**Step 6:**



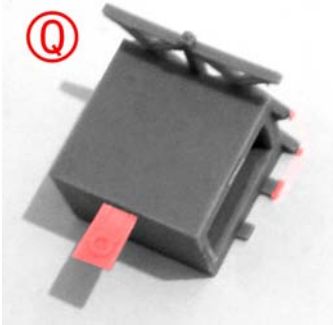
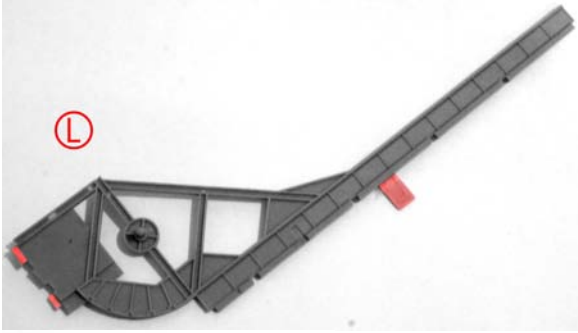
**Step 7:**  
Clean up the red area



The following steps require some rubber bands

**Step 8:**

Clean up the red area



Rubber band

Q



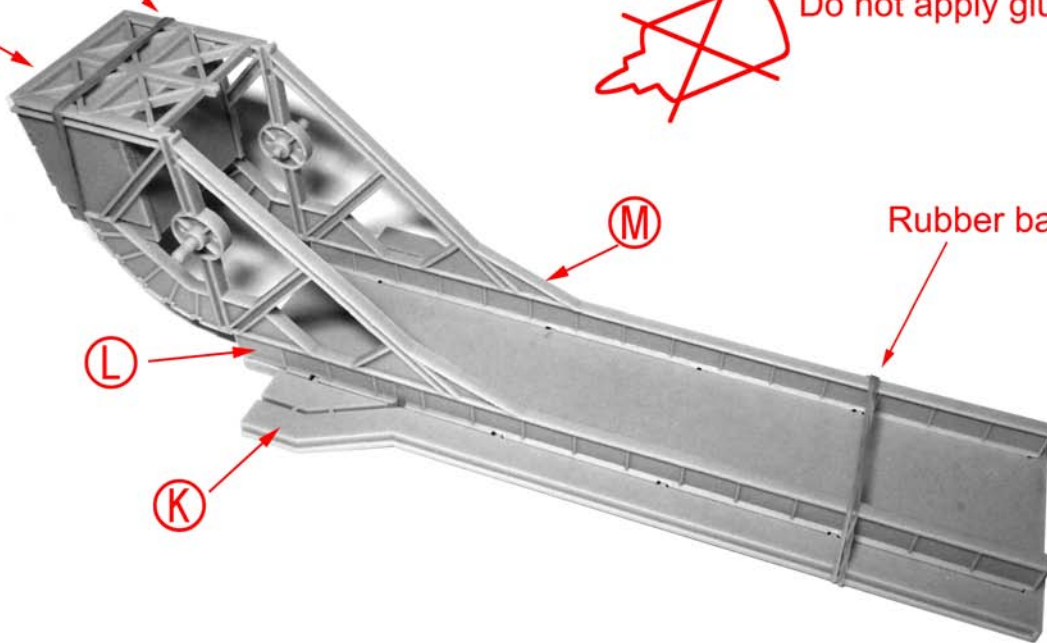
Do not apply glue yet

M

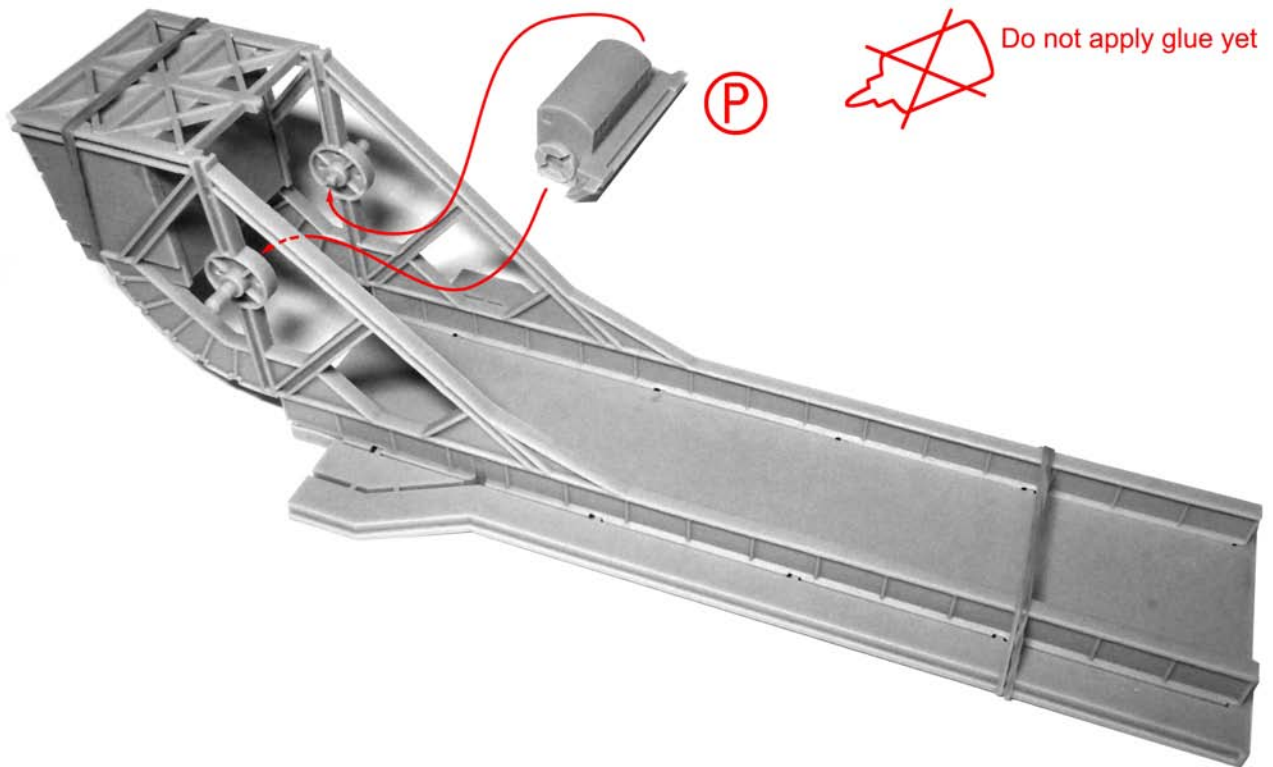
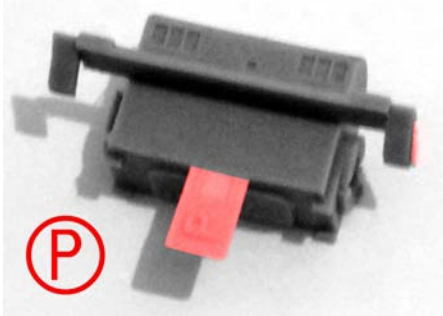
Rubber band

L

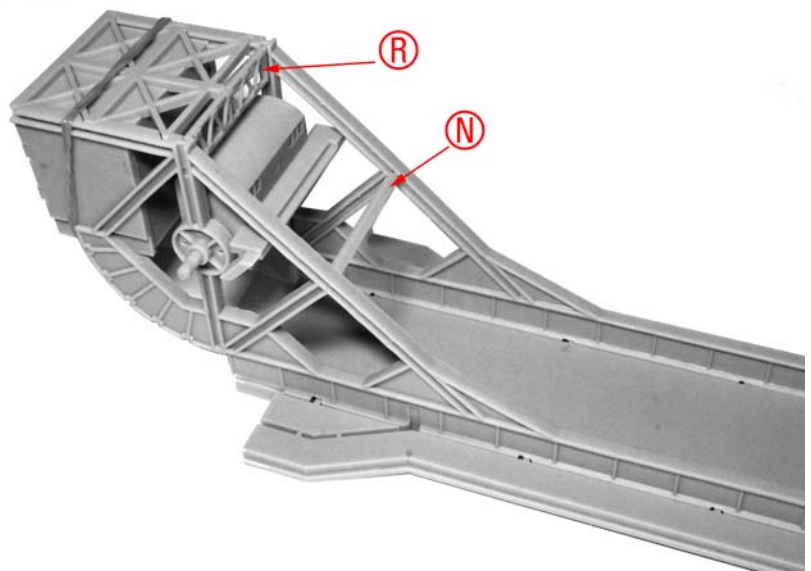
K



**Step 9:**  
Clean up the red area

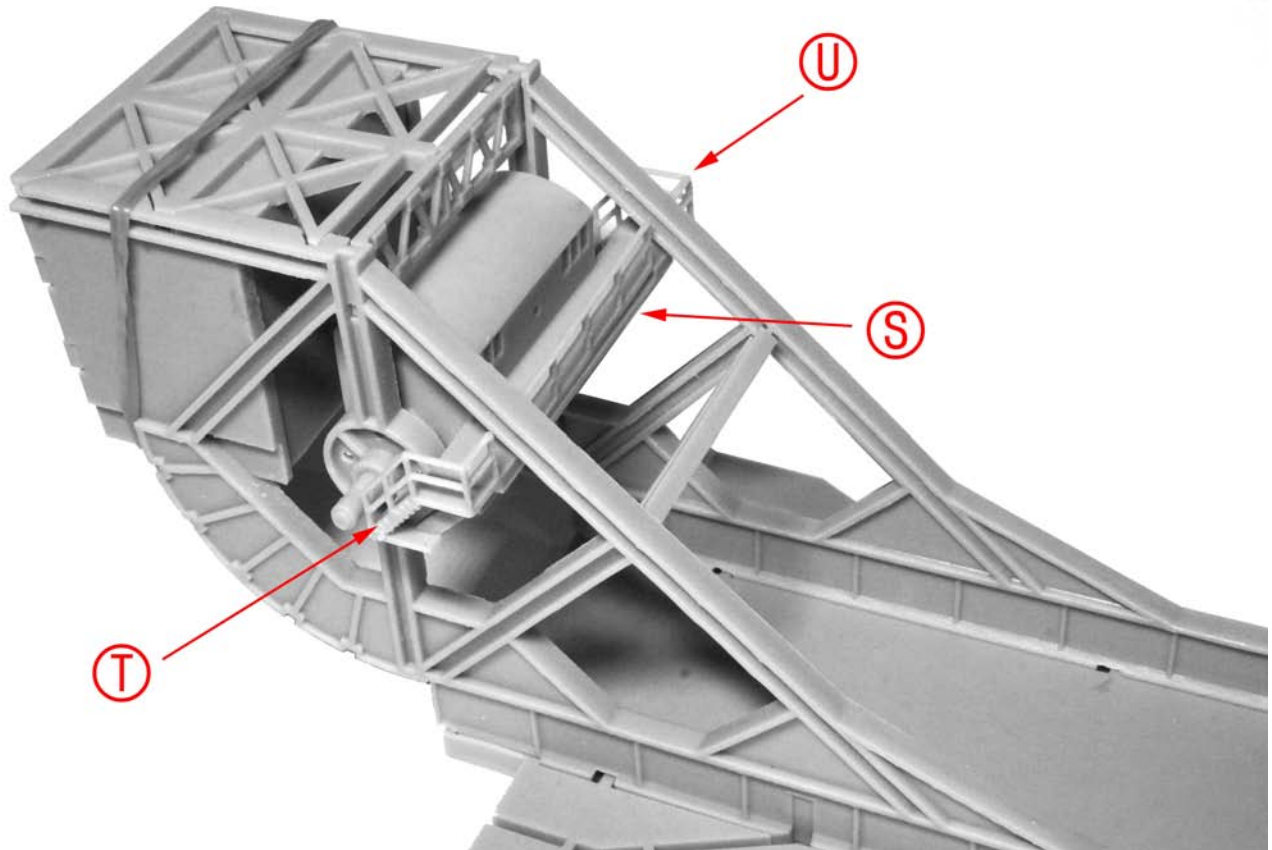
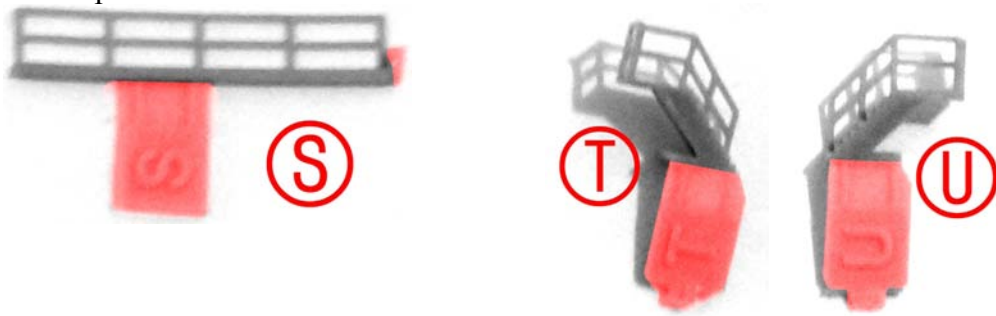


**Step 10:**  
Clean up the red area

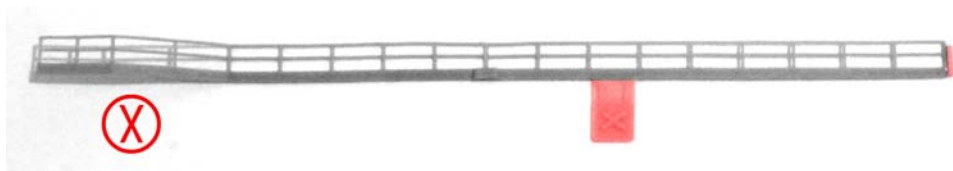
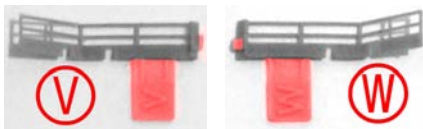


Apply glue now to all loose parts

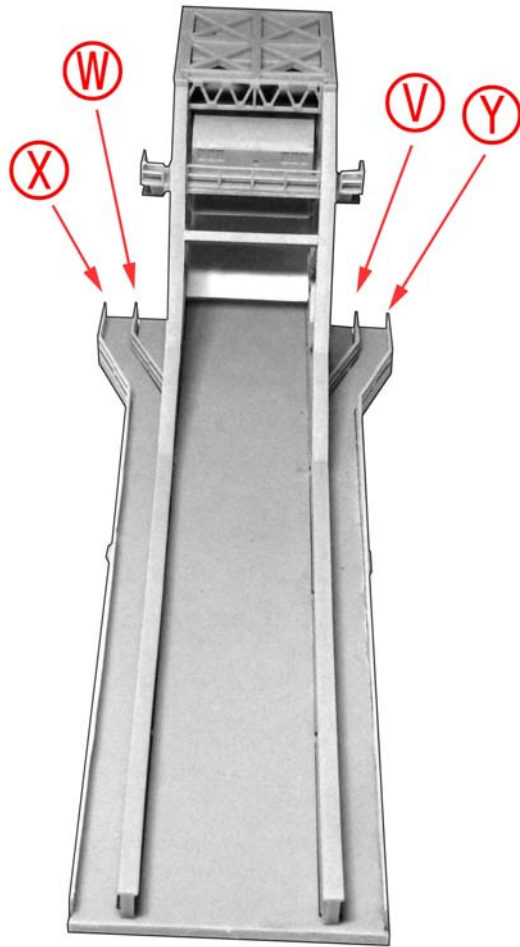
**Step 11:**  
Clean up the red area



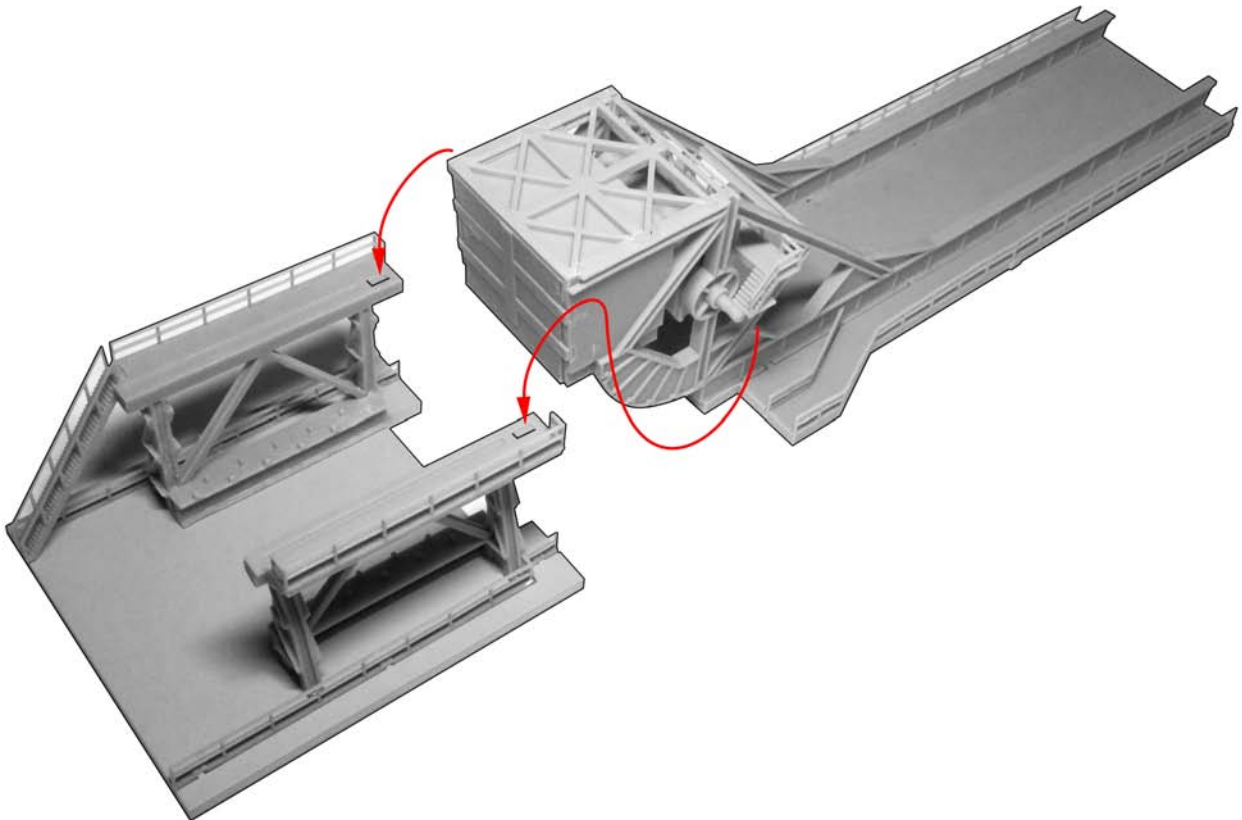
**Step 12:**  
Clean up the red area

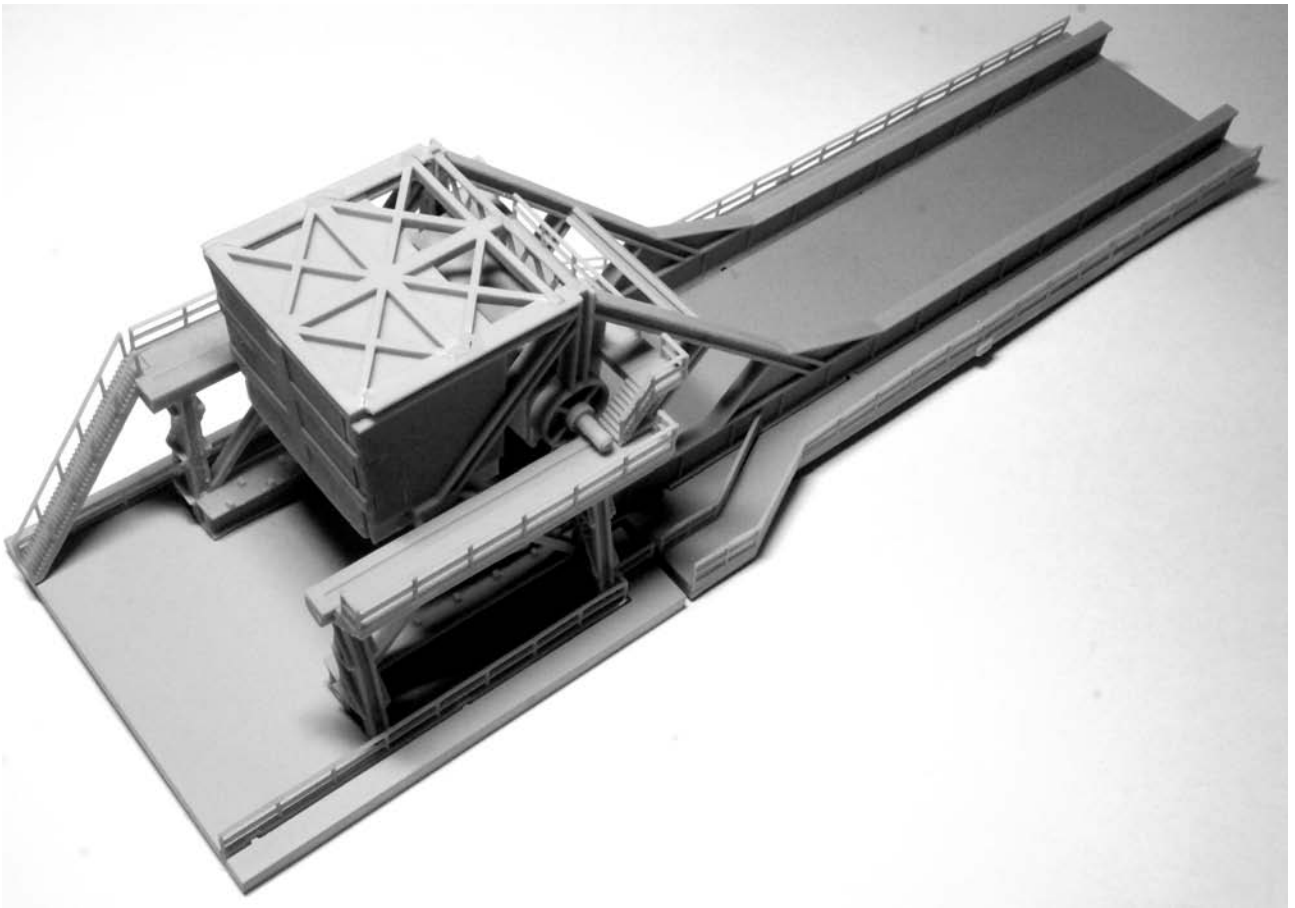






Step 13:





©2021 CG Dynamix  
<https://combatgroupdynamix.com>  
email: [cgdynamix@gmail.com](mailto:cgdynamix@gmail.com)